

Project Outlook Shutter Manual

Australian Manufactured Shutters

Shutter Specifications

Material: PVC. PVC is able to withstand temperatures of up to 65 degrees Celsius and is water resistant which makes it ideal for wet areas.

Application: Internal Use Only

Colour: White

Operation: Clearview Only.

Louvres

Louvre Shape: Elliptical

Louvre Thickness: 10.5mm

Louvre Type: 89mm width

Louvres are reinforced over 500mm



Stiles

Stile Width and Profile: 51mm Beaded – Reinforced

Stile Thickness Aluminium Reinforced: 27.5mm. Every stile has a reinforced aluminium square tube that strengthens the overall structure of the shutter and reduces the weight of the shutter which ensures long term stability.

Stile Options: D Mould and Square



Reinforced Stile

D Mould

Mid Rail

Mid Rail Width: 75mm

Mid Rail Position: Can vary up to 40mm up or down. If position is critical on order, please mark on special comments on order form.

Mid Rail Required if Panel is Greater than: 1500mm

2 x Mid Rails Required if Panel is Greater Than: 2200mm

**When measuring for a midrail measure from the bottom of the opening of the frame to the centre of where you want the midrail positioned. Every effort will be made to have the midrail placed in as close to your specified position, however there can be variances depending on the height of the panel. Please specify 'Critical' in the midrail section (or comments) if you require the midrail to be as close to your specified position as possible. Please note that an acceptable tolerance is within 40±mm.*



Panel Sizes

Minimum Panel Width x Drop (mm): 300mm x 260mm

Maximum Panel Height (mm): 2400mm (under warranty)

Maximum Hinged Single Panel Width (mm) including Frame: 900mm (under warranty)

Hinges

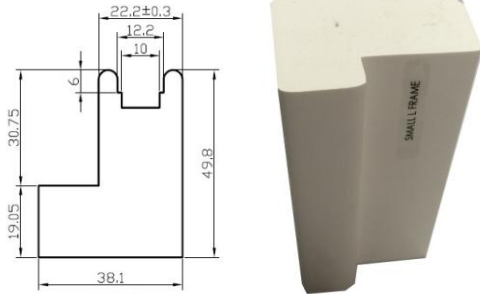
Standard Hinge Only

Available in 3 colours: Silver, Dusty Silver, White

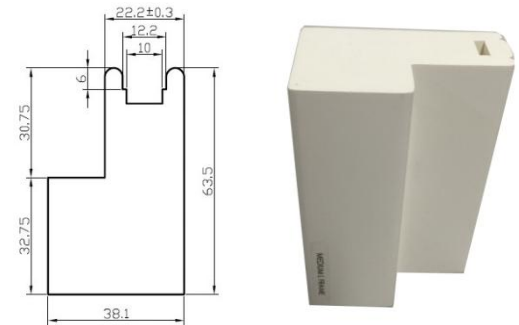


Framing Options

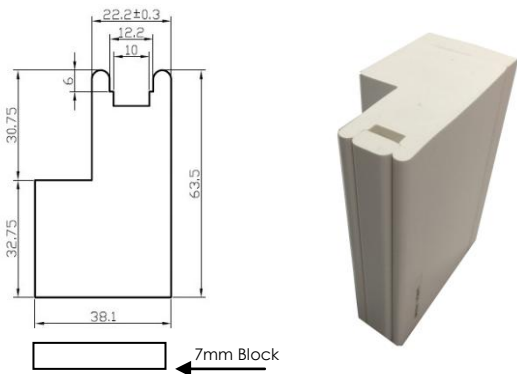
Small L- Frame



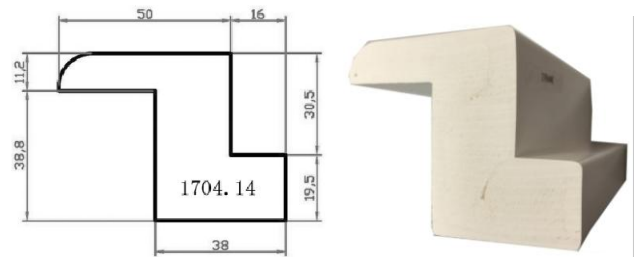
Medium - L- Frame



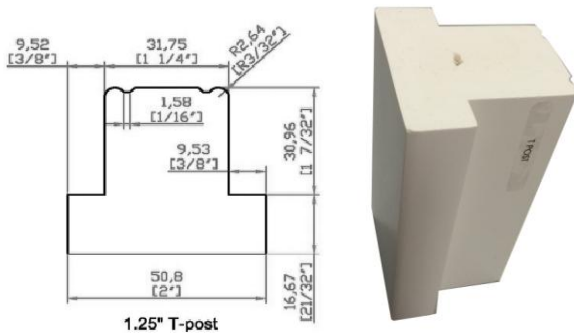
Large L Frame: same dimensions as Medium L Frame with 7mm extension block to back



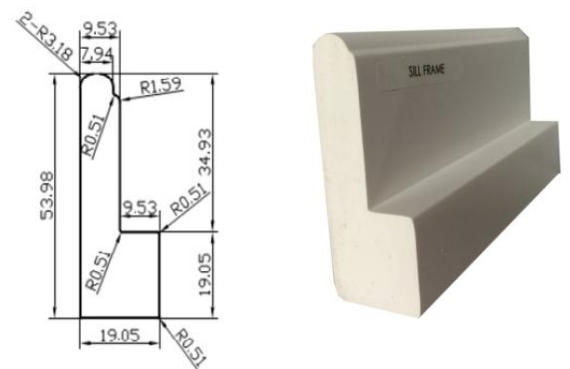
Bullnose Z Frame



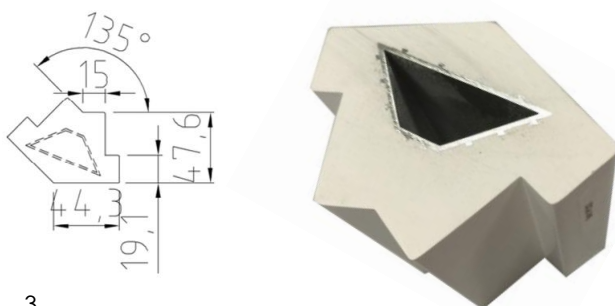
T-Post



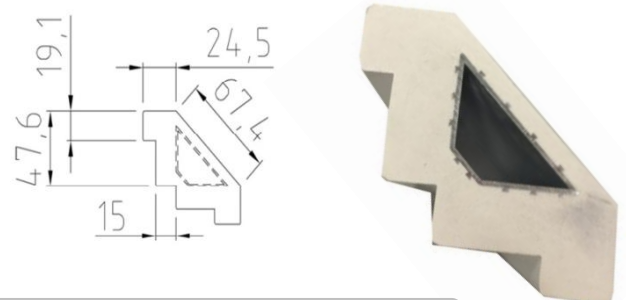
Sill Frame



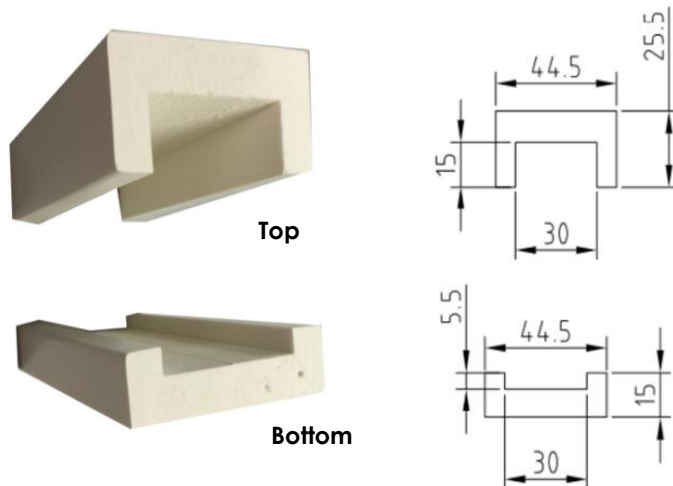
Bay Post



Corner Post



U Channel Top & Bottom



Hidden Metal Tilt Rod Strip

This is placed on the back of the panel and is hidden so that the tilt rod cannot be seen from the front.
If not specified, the tilt rod will be put on the hinge side of the panel.



General

Standard Light Block: 25mm x 25mm and 19mm x 19mm

Top and Bottom Rail Maximum/Minimum: 117mm/75mm

Standard Windows Only: No sliding, bifold, double hinging, angles or shaped shutters.



Allowances and Deductions

Factory Deductions:

For inside/recess fit only. Outside fit - no deductions taken

L Frames/U Channels: 3mm (1.5mm top/bottom and 1.5mm left/right)

Factory Panel Gap Allowance:

Left/Right - 3mm each side

Top/Bottom 3mm each side

Middle Gap between Panels 3mm (e.g. LD-R)

Example:

1000x1000mm

Large L frame – 22mm

Inside fit – therefore deductions are applied (no deductions for outside fit)

2 panels: LD-R

Size after deductions – 3mm for L frame

997x997

Panel sizes:

Less 22mm frame

Less 3mm gap – Left / Middle / Right and top and bottom

= 2 panels at 472mm wide and 947mm high

Warranty

Project Outlook offer a 5 year warranty from the date of order purchase.

The warranty does not include:

- Incorrect installation
- Modifications that may have been made to the product by an external party (not Project Outlook)
- Nominal wear and tear
- Out of square windows
- Shutters orders outside of our recommended specifications
- Any damaged shutters that are not reported after 14 days of the shutters being received by the customer

If a defect cannot be visible to the naked eye at a distance of 1.5 metres or more in natural light, than this is not covered under warranty.

Property Title in all goods remains with Project Outlook until the goods are paid for in full.

Remake Process

1. Detailed description via email of the problem. Email needs to describe exactly what the issue is and what panels and frames are in question.
2. Supporting photographs illustrating the problem. E.g. if the panels were supplied the incorrect width/drop, please provide a photograph which shows a tape measure being held against the panels to clearly demonstrate the incorrect size.
3. Please provide a remake order form clearly highlighting which lines or locations need to be rectified.

Project Outlook reserve the right to carry out any repairs to parts of a shutter panel, and will not automatically supply a new panel. Any defect/faulty panels should not be installed and should be brought back to Project Outlook for rectification/repair or remake at the discretion of Project Outlook.

Benefits of using a PVC Shutter

- ✓ PVC has a unique stile system that is reinforced by an aluminium insert which ensures the shutter has a longer life span.
- ✓ PVC is fire retardant, which makes its application perfect in commercial environments
- ✓ PVC can repel moisture and hence is suitable for wet areas
- ✓ PVC does not crack or peel due to its high tensile coatings
- ✓ PVC is termite proof
- ✓ PVC is a great insulator
- ✓ PVC is durable and resists scratching and rubbing